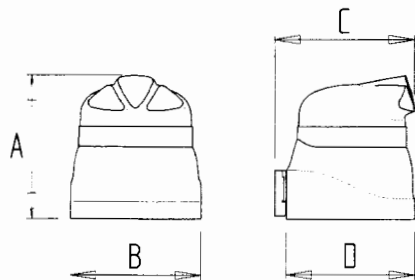


1 TECHNICAL CHARACTERISTICS

	NEB6500
Atomising capacity	1,1 - 6,5 L/hour
Electric power supply	230V, 50Hz
Rated Power	0.23 kW (0,3 kW with resistance)
Air Delivery	77,8 L/sec (280 m ³ /hour)
Water Supply Pressure	100...1000 kPa
Supply Tank Water Content	0.055 L
Protection Rating	IPX4
Operating Temp. and R.H. (no antifreeze equipment)	+1°...+35°C, 0...100% R.H.
Operating Temp. (with antifreeze equipment)	-2°...+35°C, 0...100% R.H.

Tab. 1.1

1.1 Dimensions and weights

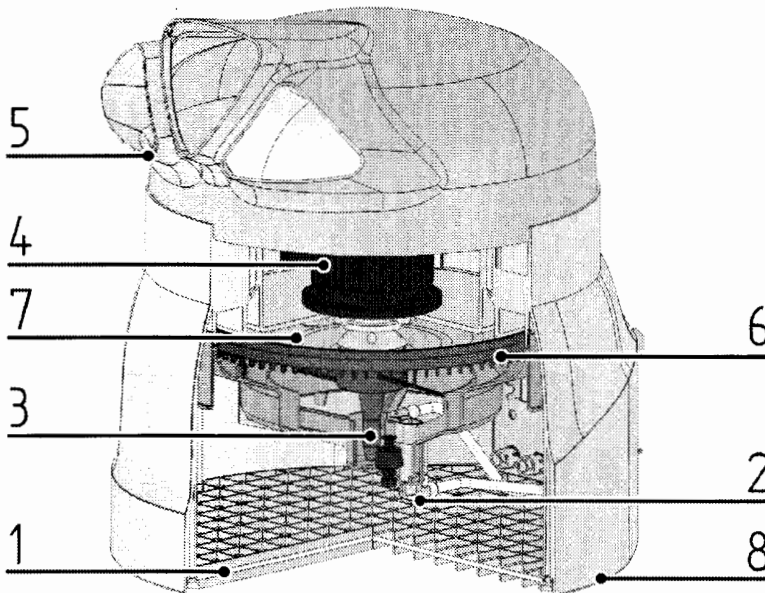


	A	B	C	D
Dimension [mm]	565	505	610	530
Weight	17,6 Kg			

Tab. 1.1.1

Fig. 1.1.1

1.2 Description of the components



Ref	Description
1	Air filter
2	Siphon
3	Cone with fan
4	Motor
5	Diffuser
6	Toothed crown wheel
7	Atomisation disk
8	Main body

Fig. 1.2.1